

**System Overview**

1. **Locker Series:** Element Outdoor w/ Light Awning
2. **Installation Type:** Linear
3. **Color Finish:** tbd
4. **Total Package Lockers:** 0
5. **Total Dry Cleaning Lockers:** 4


**Site Preparation Requirements (Provided by Others):**

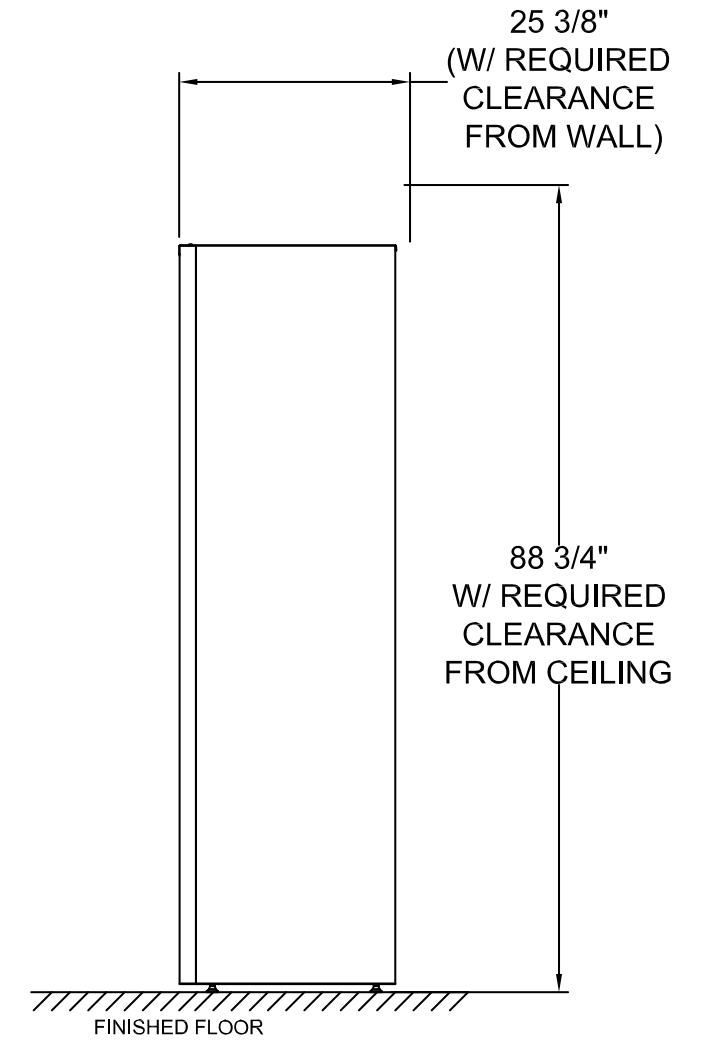
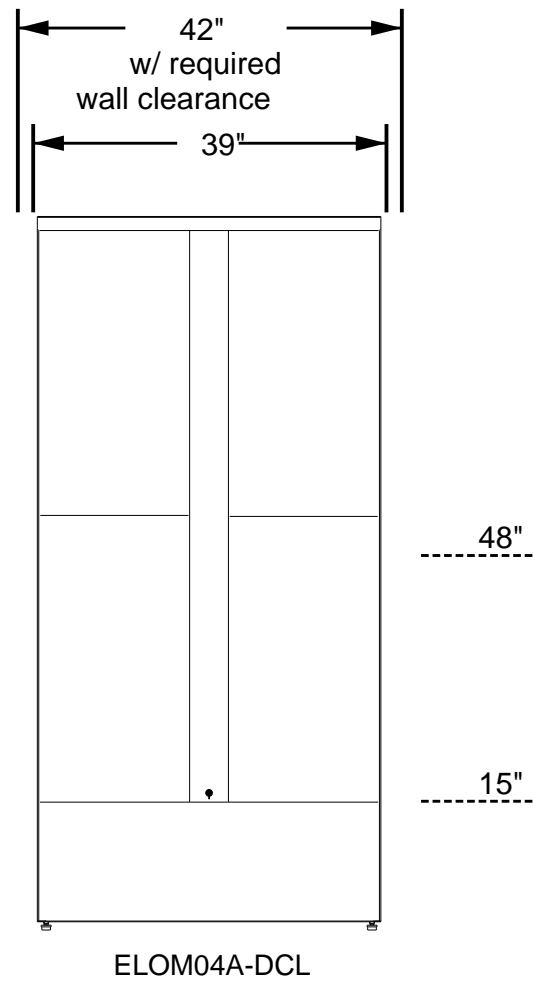
1. Electrical and Internet junction boxes must be installed with bottom of the junction box at 87" FFF - junction boxes must be surface mounted
2. System dimensions shown should be verified in the field to confirm the system fits within the desired space
3. Each locker module has a typical dimension tolerance of +/- 1/8"
4. Actual Locker Height is: 85-1/2" - 87" (range due to adjustable leveling feet)
5. Actual Locker Depth is: 34"

Module/Tower Count	
Module	Qty.
ELOM04A-LT	0
ELOM08A-LT	0
ELOM09A-LT	0
ELOM10A-LT	0
ELOM13A-LT	0
ELOM16A-LT	0
ELOK11A-PC-LT	0
ELOM04A-DCL-LT	1
<b>Total:</b>	<b>1</b>

Locker Compartment Information (inches)				
Type	Qty.	Height	Width	Depth
1-High	0	4.8	13.5	22.5
2-High	0	10.2		
3-High	0	15.6		
4-High	0	21.0		
5-High	0	26.4		
6-High	0	31.8		
D6-High	4	31.8		
<b>Total:</b>	<b>4</b>			

**DO NOT SCALE OFF THIS DRAWING**

<b>ELEVATION:</b> Front View / Profile   Elevation 1			
<b>PROJECT NAME:</b> Product Cutsheet		<b>DRAWN BY:</b> Package Concierge	
<b>CREATED:</b> 08/23/2019	<b>LOCATION:</b> Manhattan ,KS	 <b>packageconciierge.com</b> <small>Manufactured by Florence Corporation</small>	
<b>INSTALL BY:</b> N/A	<b>REFERENCE NO:</b>		
<b>DRAWING NO.</b> ELOM04A-DCL-LTCS	<b>SHEET 1</b>		
<b>APPROVED SIGNATURE:</b>		<b>PRINTED NAME/DATE:</b>	



**System Overview**

- 1. **Locker Series:** Element Outdoor
- 2. **Installation Type:** Linear
- 3. **Color Finish:** tbd
- 4. **Total Package Lockers:** 0
- 5. **Total Dry Cleaning Lockers:** 4


**Site Preparation Requirements (Provided by Others):**

- 1. Electrical and Internet junction boxes must be installed with bottom of the junction box at 87" FFF - junction boxes must be surface mounted
- 2. System dimensions shown should be verified in the field to confirm the system fits within the desired space
- 3. Each locker module has a typical dimension tolerance of +/- 1/8"
- 4. Actual Locker Height is: 82-1/4" - 83-3/4" (range due to adjustable leveling feet)
- 5. Actual Locker Depth is: 23-7/8"

Module/Tower Count	
Module	Qty.
ELOM04A	0
ELOM08A	0
ELOM09A	0
ELOM10A	0
ELOM13A	0
ELOM16A	0
ELOK11A-PC	0
ELOM04A-DCL	1
<b>Total:</b>	<b>1</b>

Locker Compartment Information (inches)				
Type	Qty.	Height	Width	Depth
1-High	0	4.8	13.5	22.5
2-High	0	10.2		
3-High	0	15.6		
4-High	0	21.0		
5-High	0	26.4		
6-High	0	31.8		
D6-High	4	31.8		
<b>Total:</b>	<b>4</b>			

**DO NOT SCALE OFF THIS DRAWING**

<b>ELEVATION:</b> Front View / Profile   Elevation 1			
<b>PROJECT NAME:</b> Product Cutsheet		<b>DRAWN BY:</b> Package Concierge	
<b>CREATED:</b> 08/23/2019	<b>LOCATION:</b> Manhattan ,KS	 <b>packageconciierge.com</b> <small>Manufactured by Florence Corporation</small>	
<b>INSTALL BY:</b> N/A	<b>REFERENCE NO:</b>		
<b>DRAWING NO.</b> ELOM04A-DCLCS	<b>SHEET 2</b>		
<b>APPROVED SIGNATURE:</b>		<b>PRINTED NAME/DATE:</b>	